



MODEL : F215A

SPECIFICATION :

2-Way Active Full-Range

Built is Active Module Class D 1000 Watt @ 8 Ohm, 32 bit DSP / 48K digital processor

Power capacity (AES Standards) :

RMS : 1000 Watts

Peak : 4000 Watts

Sensitivity : 132 dB

Impedance : 4Ω

Frequency Response : 40 Hz - 20 kHz

Coverage : 60° x 60°

Recommended Application :

- > Extremely High SPL Point source
- > Stage Monitor
- > Wide coverage

Features :

- > Compact & High Power
- > Built in Active Module with DSP 32 bit / 48K digital processor
- > Equipped with LCD display
- > Software control via USB-B port
- > DSP controlled input has Preset control knob with preset categories for multiple user programming by software

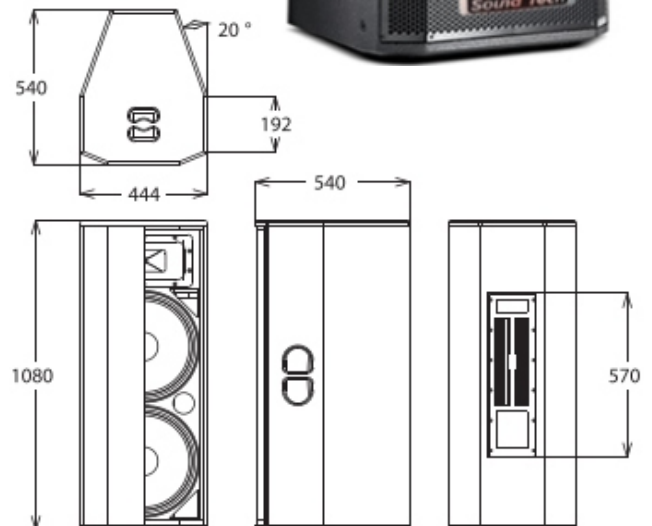
Woofers Section :

LF : 2 x 15 inch

Compression Driver :

HF : 1 x 3 inch voice coil, Ø Throat 1.4 inch

Voltage : AC 230V ~ 50/60Hz



Connectors :

Input : Female XLR

Link : Male XLR

RS485 IN/OUT

AC Input : Power

AC Output : AC Link